

#### FEATURED MODEL

513-695 10" and 10" bowl depths

#### ADDITIONAL MODELS

513-689 Double Bowl without Drainboard

#### FEATURES

- 18 gauge, 304 series stainless steel
- 18/10 chrome/nickel content
- Handcrafted from a single panel of stainless steel
- 10mm radius corners
- Elegant and functional drain grooves
- Long-lasting, easy-to-clean, satin polish finish
- Sound-deadening insulation
- Rear drain placement

#### CODE/STANDARDS COMPLIANCE

ASME 112.19.3-00

IAPMO/UPC listed

#### OPTIONAL ACCESSORIES

Sink Grids: 221-015, 221-024

Colanders: 218-772, 215-651

Cutting Board: 218-620

#### WARRANTY

Blanco America's BLANCOPRECISION™ 10 sinks feature a LIMITED LIFETIME WARRANTY to be free of all manufacturing defects under normal use. See our complete warranty for details.

While Blanco America endeavors to provide accurate information, all dimensions are nominal, cannot be guaranteed, and are subject to change or cancellation. Blanco America assumes no responsibility for use of superseded or voided specifications.

#### PRODUCT SPECIFICATION

Undermount sink to be 52" in length and 20" in front-to-back depth. Sink to be handcrafted from a single panel of 18 gauge, 304 series stainless steel, with 18/10 chrome/nickel content and satin polished finish. Sink to feature 10mm radius corners, rear drain placement and integral drainboard. Sink to be Blanco Model 513-695, with left bowl depth of 10" and right bowl depth of 10".

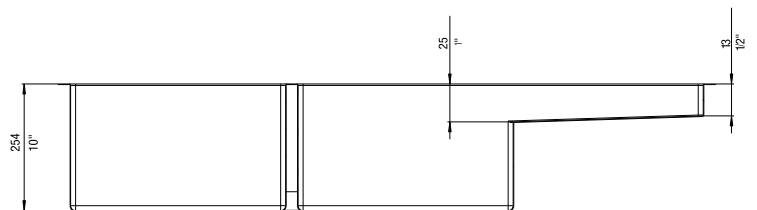
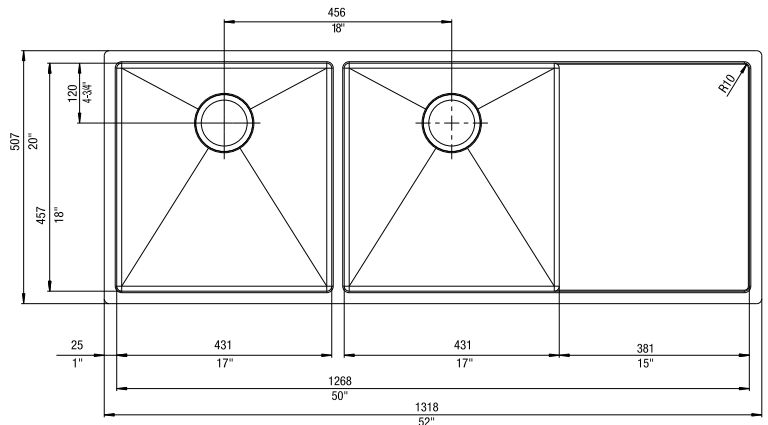


MODEL 513-695

#### NOMINAL DIMENSIONS

MODEL	OVERALL	BOWL DEPTH		DRAIN DIAMETER
		LEFT	RIGHT	
513-695	52 x 20	10	10	3-1/2

DXF cutout templates available on our web site.



#### JOB INFORMATION

Job Name: \_\_\_\_\_

Contact: \_\_\_\_\_

Date Specified: \_\_\_\_\_

Specifier: \_\_\_\_\_

Contractor: \_\_\_\_\_